



INSTALLATION OPTIONS AND DIMENSIONS

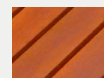
Above ground epoxy-fix	1935mm L x 1935mm W x 735mm H
Above ground bolt-fix	1935mm L x 1935mm W x 735mm H
Below ground bolt-fix	1935mm L x 1935mm W x 885mm H

FRAME MATERIALS

Clear anodised aluminium with cast aluminium corners.

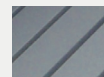
Stainless steel fasteners.

BATTEN AND SEAT MATERIAL OPTIONS



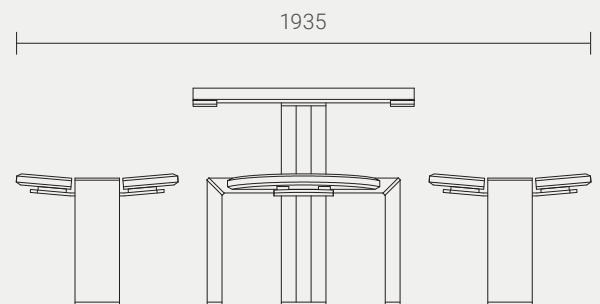
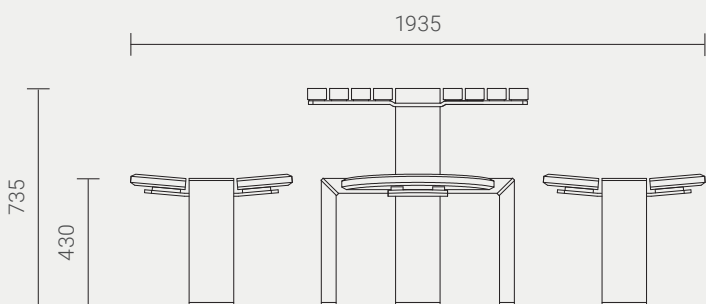
HARDWOOD

Finished with 3 coats of water-based Intergrain Naturalstain, colour 'Cedar'.



RECYCLED PLASTIC

Furnitureform™ glass-reinforced HDPE, standard colour 'Charcoal'.



Designed by
Cox Urban Furniture
info@coxurbanfurniture.com.au
coxurbanfurniture.com.au

Distributed by Altiform,
National Sales Hotline
T. 1800 2584 3676
sales@altiform.com.au

Copyright © 2018 Cox Urban Furniture.

Not to be reproduced in any form
without prior written consent.