



INSTALLATION OPTIONS AND DIMENSIONS

| | |
|-------------------------------|------------------------------|
| Above ground epoxy-fix | 1840mm L × 650mm W × 735mm H |
| Above ground bolt-fix | 1840mm L × 650mm W × 735mm H |
| Below ground bolt-fix | 1840mm L × 650mm W × 885mm H |

FRAME MATERIALS

Seats - Clear anodised aluminium with cast aluminium corners.

Table - Powder coated aluminium.

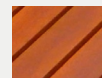
Stainless steel fasteners.

CHESS BOARD INSERT

Removable 450mm square aluminium plate wrapped with vinyl chess board design, set into 650mm square table.

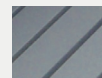
Pattern printed onto Avery MPI 1005 Supercast series vinyl with Avery DOL 4300 Anti Graffiti polyester overlaminat.

SEGMENT MATERIAL OPTIONS



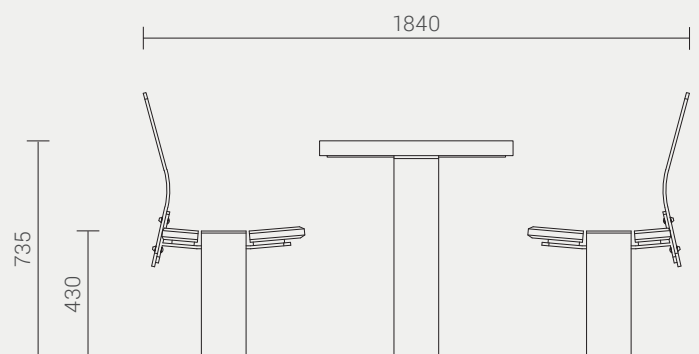
HARDWOOD

Finished with 3 coats of water-based Intergrain Naturalstain, colour 'Cedar'.



RECYCLED PLASTIC

ULTI-Plas™ UV stabilised extrusion, standard colour 'Charcoal'



Designed by Cox Urban Furniture

E: info@coxurbanfurniture.com.au
WEB: coxurbanfurniture.com.au

Copyright © 2020 Cox Urban Furniture.

COX
URBAN FURNITURE

Distributed by Burdens Australia

HEAD OFFICE - WA

Burdens Australia
P: (08) 9302 4077
E: sales@burdens.net.au

11 Profit Pass
Wangara WA 6065

QUEENSLAND

Burdens Australia
P: (07) 3287 5166
E: qldsales@burdens.net.au

VICTORIA

Burdens Australia
P: (03) 9330 2752
E: vic-sales@burdens.net.au

INTERNATIONAL

Environmental Street Furniture
P: 0011 44 845 606 6095
E: sales@worldofesf.com

ESF Global Sales Office
67 Church Road
Newtownabbey, Belfast BT36 7LS
Northern Ireland