



INSTALLATION OPTIONS AND DIMENSIONS

Above ground epoxy-fix	1845mm L x 1845mm W x 735mm H
Above ground bolt-fix	1845mm L x 1845mm W x 735mm H
Below ground bolt-fix	1845mm L x 1845mm W x 885mm H

FRAME MATERIALS

Clear anodised aluminium with cast aluminium corners.

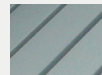
Stainless steel fasteners.

BATTEN MATERIAL OPTIONS



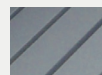
**HARDWOOD**

Finished with 3 coats of water-based Intergrain Naturalstain, colour 'Cedar'.



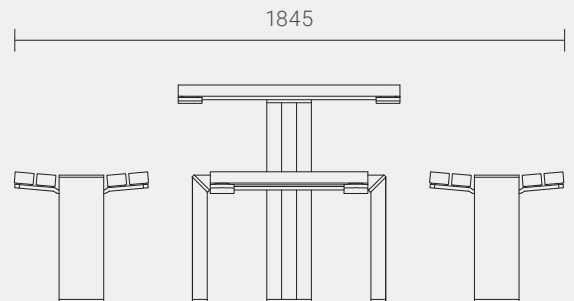
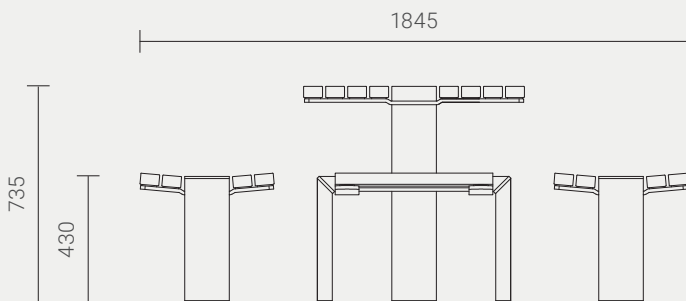
**ALUMINIUM**

Clear-anodised aluminium RHS with cast aluminium end-caps.



**RECYCLED PLASTIC**

Furnitureform™ glass-reinforced HDPE, standard colour 'Charcoal'.



Designed by  
Cox Urban Furniture  
info@coxurbanfurniture.com.au  
coxurbanfurniture.com.au

Distributed by Altiform,  
National Sales Hotline  
T. 1800 2584 3676  
sales@altiform.com.au

Copyright © 2018 Cox Urban Furniture.

Not to be reproduced in any form  
without prior written consent.