

BATTENED SEAT URB:SAT B112

URBAN EDGE
RANGE



INSTALLATION OPTIONS AND DIMENSIONS

Above ground epoxy-fix	660mm L x 590mm W x 820mm H
Above ground bolt-fix	660mm L x 590mm W x 820mm H
Below ground bolt-fix	660mm L x 590mm W x 970mm H

FRAME MATERIALS

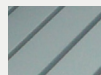
Clear anodised aluminium with cast aluminium corners.

Stainless steel fasteners.

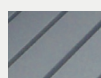
BATTEN MATERIAL OPTIONS



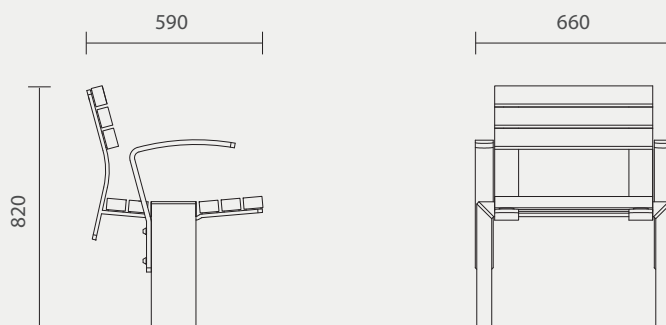
HARDWOOD
Finished with 3 coats of water-based Intergrain Naturalstain, colour 'Cedar'.



ALUMINIUM
Clear-anodised aluminium RHS with cast aluminium end-caps.



RECYCLED PLASTIC
Furnitureform™ glass-reinforced HDPE, standard colour 'Charcoal'.



Designed by
Cox Urban Furniture
info@coxurbanfurniture.com.au
coxurbanfurniture.com.au

Distributed by Altiform,
National Sales Hotline
T. 1800 2584 3676
sales@altiform.com.au

Copyright © 2018 Cox Urban Furniture.

Not to be reproduced in any form
without prior written consent.