

# BATTENED SEAT URB:SAT B110

URBAN EDGE  
RANGE



## INSTALLATION OPTIONS AND DIMENSIONS

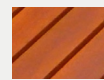
Above ground epoxy-fix	650mm L × 590mm W × 820mm H
Above ground bolt-fix	650mm L × 590mm W × 820mm H
Below ground bolt-fix	650mm L × 590mm W × 970mm H

## FRAME MATERIALS

Clear anodised aluminium with cast aluminium corners.

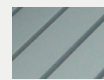
Stainless steel fasteners.

## BATTEN MATERIAL OPTIONS



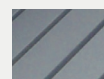
### HARDWOOD

Finished with 3 coats of water-based Intergrain Naturalstain, colour 'Cedar'.



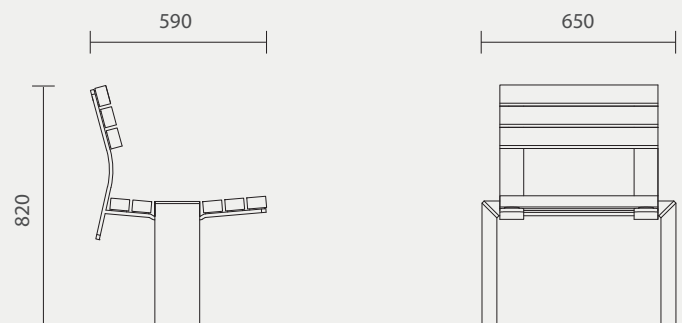
### ALUMINIUM

Clear-anodised aluminium RHS with cast aluminium end-caps.



### RECYCLED PLASTIC

Furnitureform™ glass-reinforced HDPE, standard colour 'Charcoal'.



Designed by  
Cox Urban Furniture  
info@coxurbanfurniture.com.au  
coxurbanfurniture.com.au

Distributed by Altiform,  
National Sales Hotline  
T. 1800 2584 3676  
sales@altiform.com.au

Copyright © 2018 Cox Urban Furniture.

Not to be reproduced in any form  
without prior written consent.