

BATTENED SEAT

URB:SAT B100 BAR

URBAN EDGE
RANGE



INSTALLATION OPTIONS AND DIMENSIONS

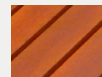
Above ground epoxy-fix	540mm L × 445mm W × 750mm H
Above ground bolt-fix	540mm L × 445mm W × 750mm H
Below ground bolt-fix	540mm L × 445mm W × 900mm H

FRAME AND FOOTREST MATERIALS

Clear anodised aluminium with cast aluminium corners.

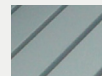
Stainless steel fasteners.

BATTEN MATERIAL OPTIONS



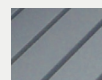
HARDWOOD

Finished with 3 coats of water-based Intergrain Naturalstain, colour 'Cedar'.



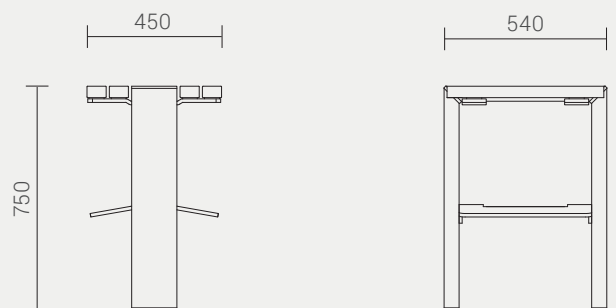
ALUMINIUM

Clear-anodised aluminium RHS with cast aluminium end-caps.



RECYCLED PLASTIC

ULTI-Plas™ UV stabilised extrusion, standard colour 'Charcoal'



Designed by Cox Urban Furniture

E: info@coxurbanfurniture.com.au
WEB: coxurbanfurniture.com.au

Copyright © 2020 Cox Urban Furniture.

COX
URBAN FURNITURE

Distributed by Burdens Australia

HEAD OFFICE - WA

Burdens Australia
P: (08) 9302 4077
E: sales@burdens.net.au

11 Profit Pass
Wangara WA 6065

QUEENSLAND

Burdens Australia
P: (07) 3287 5166
E: qldsales@burdens.net.au

VICTORIA

Burdens Australia
P: (03) 9330 2752
E: vic-sales@burdens.net.au

INTERNATIONAL

Environmental Street Furniture
P: 0011 44 845 606 6095
E: sales@worldofesf.com

ESF Global Sales Office
67 Church Road
Newtownabbey, Belfast BT36 7LS
Northern Ireland