

## BATTENED PLATFORM

# URB:PTS B101 B

URBAN EDGE  
RANGE



### INSTALLATION OPTIONS AND DIMENSIONS

**Above ground epoxy-fix** 1650mm L × 1340mm W × 820mm H

**Above ground bolt-fix** 1650mm L × 1340mm W × 820mm H

**Below ground bolt-fix** 1650mm L × 1340mm W × 970mm H

### FRAME MATERIALS

Clear anodised aluminium with cast aluminium corners.

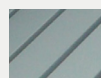
Stainless steel fasteners.

### BATTEN MATERIAL OPTIONS



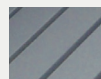
#### HARDWOOD

Finished with 3 coats of water-based Intergrain Naturalstain, colour 'Cedar'.



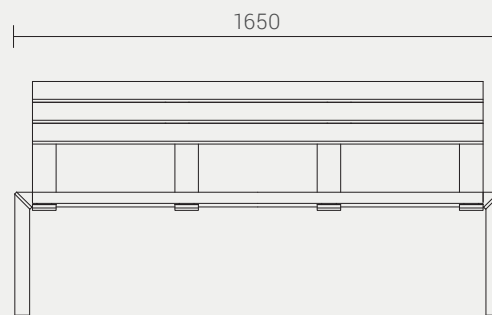
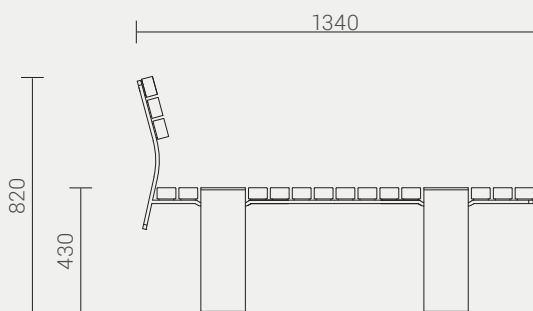
#### ALUMINIUM

Clear-anodised aluminium RHS with cast aluminium end-caps.



#### RECYCLED PLASTIC

ULTI-Plas™ UV stabilised extrusion, standard colour 'Charcoal'



Designed by Cox Urban Furniture

E: [info@coxurbanfurniture.com.au](mailto:info@coxurbanfurniture.com.au)  
WEB: [coxurbanfurniture.com.au](http://coxurbanfurniture.com.au)

Copyright © 2020 Cox Urban Furniture.

**COX**  
URBAN FURNITURE

Distributed by Burdens Australia

#### HEAD OFFICE - WA

Burdens Australia  
P: (08) 9302 4077  
E: [sales@burdens.net.au](mailto:sales@burdens.net.au)

11 Profit Pass  
Wangara WA 6065

#### QUEENSLAND

Burdens Australia  
P: (07) 3287 5166  
E: [qldsales@burdens.net.au](mailto:qldsales@burdens.net.au)

#### VICTORIA

Burdens Australia  
P: (03) 9330 2752  
E: [vic-sales@burdens.net.au](mailto:vic-sales@burdens.net.au)

#### INTERNATIONAL

Environmental Street Furniture  
P: 0011 44 845 606 6095  
E: [sales@worldofesf.com](mailto:sales@worldofesf.com)

ESF Global Sales Office  
67 Church Road  
Newtownabbey, Belfast BT36 7LS  
Northern Ireland