

TREEGUARD PMD:TGD-2

PROMENADE
RANGE



INSTALLATION OPTIONS AND DIMENSIONS

Above ground bolt-fix	775mm Diameter x 1300mm H
Below ground bolt-fix	775mm Diameter x 1450mm H
In-situ poured concrete	775mm Diameter x 1600mm H

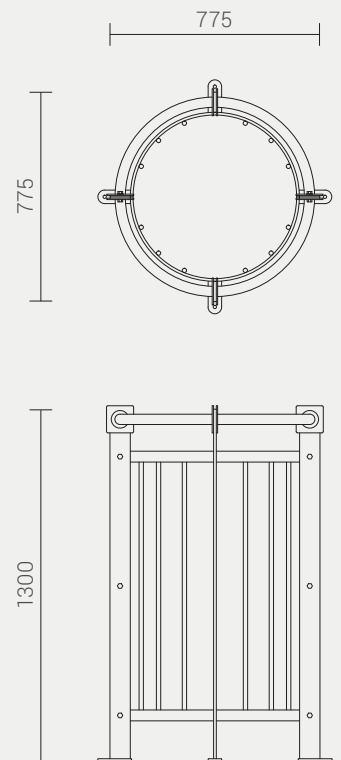
MATERIALS AND FINISH

Aluminium with powder coat finish.

Stainless steel fixings.

ASSEMBLY

Bolt the treeguard halves together around the planted tree, prior to connection to a treegrate, paving or below ground concrete footing.



Designed by Cox Urban Furniture

E: info@coxurbanfurniture.com.au
WEB: coxurbanfurniture.com.au

Copyright © 2020 Cox Urban Furniture.

COX
URBAN FURNITURE

Distributed by Burdens Australia

HEAD OFFICE - WA

Burdens Australia
P: (08) 9302 4077
E: sales@burdens.net.au

11 Profit Pass
Wangara WA 6065

QUEENSLAND

Burdens Australia
P: (07) 3287 5166
E: qldsales@burdens.net.au

VICTORIA

Burdens Australia
P: (03) 9330 2752
E: vic-sales@burdens.net.au

INTERNATIONAL

Environmental Street Furniture
P: 0011 44 845 606 6095
E: sales@worldofesf.com

ESF Global Sales Office
67 Church Road
Newtownabbey, Belfast BT36 7LS
Northern Ireland