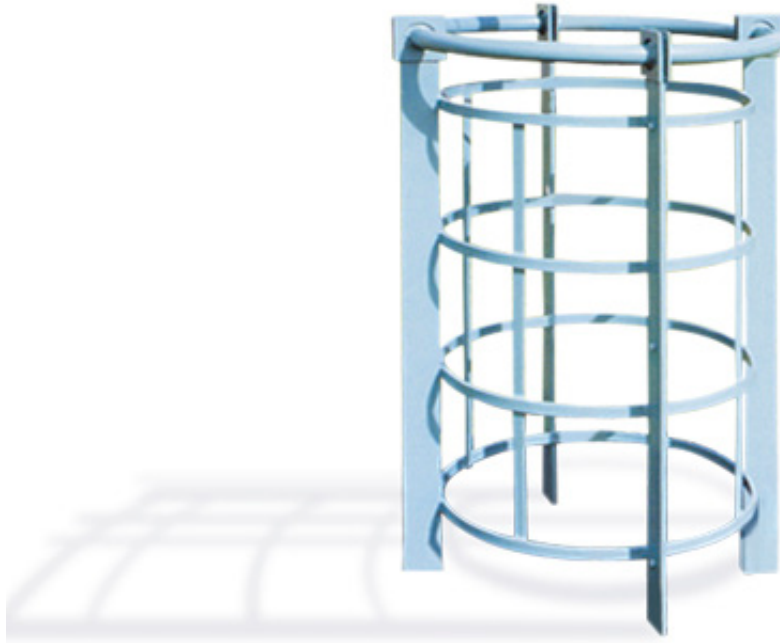


TREEGUARD PMD:TGD-1

PROMENADE
RANGE



INSTALLATION OPTIONS AND DIMENSIONS

Above ground bolt-fix	775mm Diameter x 1300mm H
Below ground bolt-fix	775mm Diameter x 1450mm H
In-situ poured concrete	775mm Diameter x 1600mm H

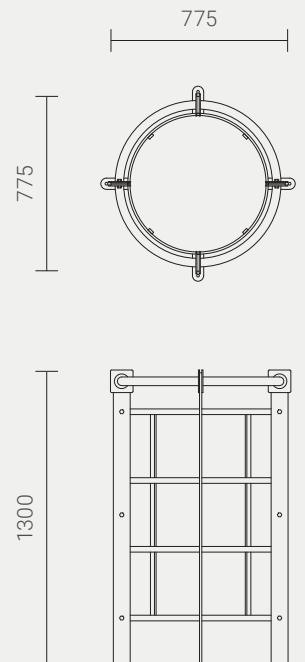
MATERIAL AND FINISH

Aluminium with powder coat finish.

Stainless steel fixings.

ASSEMBLY

The treeguard halves are bolted together around the planted tree prior to connection to a treegrate, paving or below ground concrete footing.



Designed by
Cox Urban Furniture
info@coxurbanfurniture.com.au
coxurbanfurniture.com.au

Distributed by Altiform,
National Sales Hotline
T. 1800 2584 3676
sales@altiform.com.au

Copyright © 2012 Cox Urban Furniture.

Not to be reproduced in any form
without prior written consent.