

# LITTERBIN PMD:LTB-3A

PROMENADE  
RANGE



## INSTALLATION OPTIONS AND DIMENSIONS

Freestanding	790mm H x 600mm diameter lid
Above ground bolt-fix	790mm H x 600mm diameter lid
Below ground bolt-fix	940mm H x 600mm diameter lid

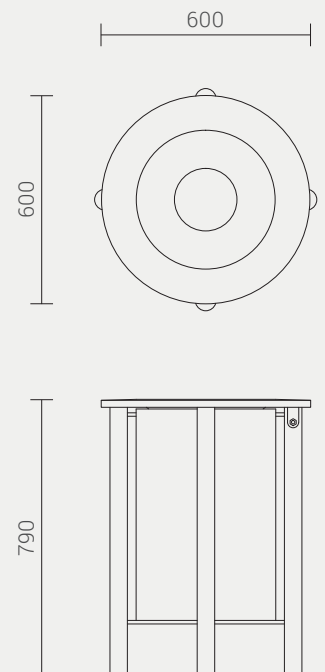
## CAPACITY

62 litres - Removable galvabond steel liner with handles.

## MATERIALS AND FINISHES

Leg-frame and body - Aluminium with powder coat finish.

Hinged lid - Spun stainless steel with satin polish finish.



Designed by Cox Urban Furniture

E: [info@coxurbanfurniture.com.au](mailto:info@coxurbanfurniture.com.au)  
WEB: [coxurbanfurniture.com.au](http://coxurbanfurniture.com.au)

Copyright © 2020 Cox Urban Furniture.

**COX**  
URBAN FURNITURE

Distributed by Burdens Australia

HEAD OFFICE - WA

Burdens Australia  
P: (08) 9302 4077  
E: [sales@burdens.net.au](mailto:sales@burdens.net.au)

11 Profit Pass  
Wangara WA 6065

QUEENSLAND

Burdens Australia  
P: (07) 3287 5166  
E: [qldsales@burdens.net.au](mailto:qldsales@burdens.net.au)

VICTORIA

Burdens Australia  
P: (03) 9330 2752  
E: [vic-sales@burdens.net.au](mailto:vic-sales@burdens.net.au)

INTERNATIONAL

Environmental Street Furniture  
P: 0011 44 845 606 6095  
E: [sales@worldofesf.com](mailto:sales@worldofesf.com)

ESF Global Sales Office  
67 Church Road  
Newtownabbey, Belfast BT36 7LS  
Northern Ireland