

LITTERBIN PMD:LTB-3

PROMENADE
RANGE



INSTALLATION OPTIONS AND DIMENSIONS

Freestanding	790mm H x 600mm diameter lid
Above ground bolt-fix	790mm H x 600mm diameter lid
Below ground bolt-fix	940mm H x 600mm diameter lid

CAPACITY

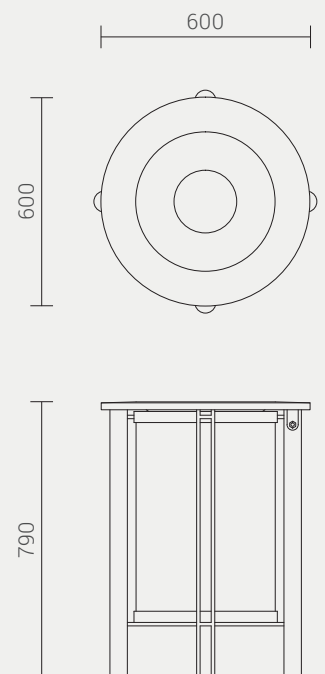
62 litres - Removable galvabond steel liner with handles.

MATERIALS AND FINISHES

Leg-frame and body - Aluminium with powder coat finish.

The cylindrical body can be powder coated to match the leg-frame, or finished in a contrasting colour as shown above.

Hinged lid - Spun stainless steel with satin polish finish.



Designed by Cox Urban Furniture

E: info@coxurbanfurniture.com.au
WEB: coxurbanfurniture.com.au

Copyright © 2020 Cox Urban Furniture.

COX
URBAN FURNITURE

Distributed by Burdens Australia

HEAD OFFICE - WA

Burdens Australia
P: (08) 9302 4077
E: sales@burdens.net.au

11 Profit Pass
Wangara WA 6065

QUEENSLAND

Burdens Australia
P: (07) 3287 5166
E: qldsales@burdens.net.au

VICTORIA

Burdens Australia
P: (03) 9330 2752
E: vic-sales@burdens.net.au

INTERNATIONAL

Environmental Street Furniture
P: 0011 44 845 606 6095
E: sales@worldofesf.com

ESF Global Sales Office
67 Church Road
Newtownabbey, Belfast BT36 7LS
Northern Ireland