

ENCLOSURE FOR 240 LITRE WHEELED LITTERBIN

PMD:EWL-2

PROMENADE
RANGE



INSTALLATION OPTIONS AND DIMENSIONS

Above ground bolt-fix	860mm L x 800mm W x 1150mm H
Below ground bolt-fix	N/A

CAPACITY

1 x 240 litre wheeled litterbin - Not included.

MATERIALS AND FINISHES

Body, legs, door and back panel - Powder coated aluminium.

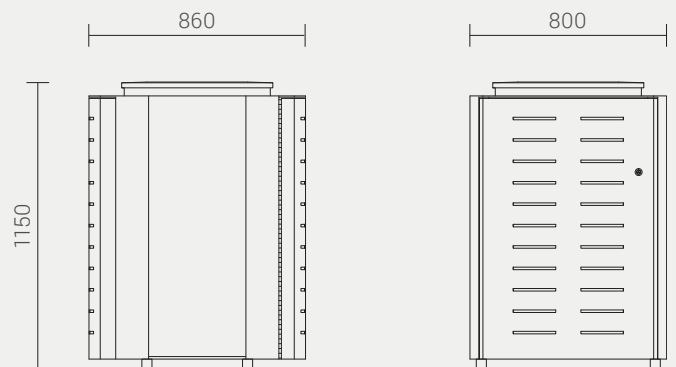
Hinge and tool operated security cam latch - Stainless Steel.

Circular litter entry surround - Stainless steel with satin polish.

OPTIONAL GRAPHICS

Signage or other graphics can be applied using client's artwork. In addition, the door and back panel can be manufactured without the horizontal slots if this better suits the artwork.

Design is full-colour printed onto Avery MPI 1005 Supercast series vinyl wrap, with Avery DOL 4300 Anti Graffiti polyester overlaminates.



Designed by Cox Urban Furniture

E: info@coxurbanfurniture.com.au
WEB: coxurbanfurniture.com.au

Copyright © 2020 Cox Urban Furniture.

COX
URBAN FURNITURE

Distributed by Burdens Australia

HEAD OFFICE - WA

Burdens Australia
P: (08) 9302 4077
E: sales@burdens.net.au

11 Profit Pass
Wangara WA 6065

QUEENSLAND

Burdens Australia
P: (07) 3287 5166
E: qldsales@burdens.net.au

VICTORIA

Burdens Australia
P: (03) 9330 2752
E: vic-sales@burdens.net.au

INTERNATIONAL

Environmental Street Furniture
P: 0011 44 845 606 6095
E: sales@worldofesf.com

ESF Global Sales Office
67 Church Road
Newtownabbey, Belfast BT36 7LS
Northern Ireland