



## INSTALLATION AND DIMENSIONS

**Above ground bolt-fix** 1460mm L x 500mm W x 900mm H

Plumber to connect the downpipes to waste water, and the internal flexible stainless steel hoses to the fresh water supply. Connections are concealed behind the semi-circular access panels in the base assembly.

## DDA COMPLIANT

Designed in accordance with AS 1428.2 - 1992: Design for Access and Mobility - Part 2.

## MATERIALS AND FINISHES

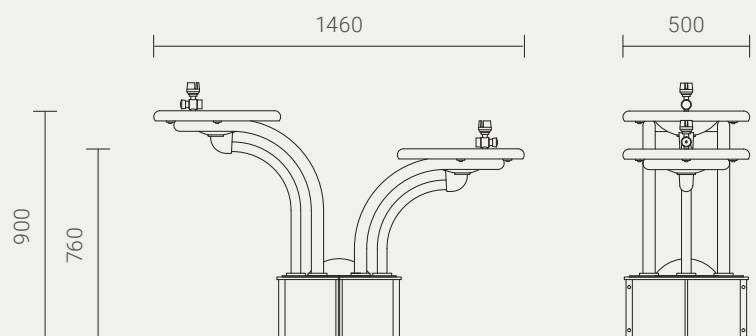
Base and support arms - Powder coated aluminium.

Domed insert in base - Cast exposed aggregate concrete.  
Standard finish 'Gunmetal Grey'. Colour can be customised to compliment the surrounding paving.

## BOWL AND FITTINGS OPTIONS

Cast high-silicon aluminium bowls with satin chromed push-button bubblers, grates and downpipes.

Cast gunmetal-bronze bowls with patinated brass push-button bubblers, grates and downpipes.



Designed by  
Cox Urban Furniture  
info@coxurbanfurniture.com.au  
coxurbanfurniture.com.au

Distributed by Altiform,  
National Sales Hotline  
T. 1800 2584 3676  
sales@altiform.com.au

Copyright © 2012 Cox Urban Furniture.

Not to be reproduced in any form  
without prior written consent.