



INSTALLATION AND DIMENSIONS

Above ground bolt-fix 975mm L x 500mm W x 760mm H

Plumber to connect the downpipe to waste water, and the internal flexible stainless steel hose to the fresh water supply. Connections are concealed behind the semi-circular access panel in the base assembly.

DDA COMPLIANT

Designed in accordance with AS 1428.2 - 1992: Design for Access and Mobility - Part 2.

MATERIALS AND FINISHES

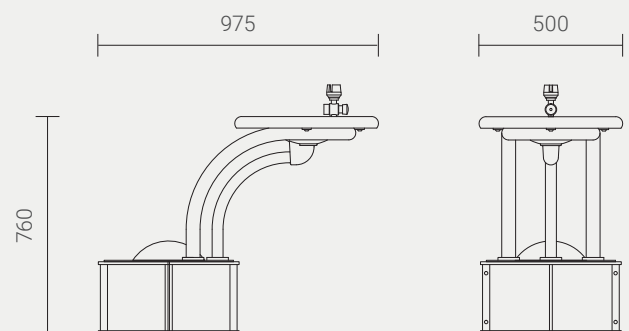
Base and support arms - Powder coated aluminium.

Domed insert in base - Cast exposed aggregate concrete.
Standard finish 'Gunmetal Grey'. Colour can be customised to compliment the surrounding paving.

BOWL AND FITTINGS OPTIONS

Cast high-silicon aluminium bowl with satin chromed push-button bubbler, grate and downpipe.

Cast gunmetal-bronze bowl with patinated brass push-button bubbler, grate and downpipe.



Designed by
Cox Urban Furniture
info@coxurbanfurniture.com.au
coxurbanfurniture.com.au

Distributed by Altiform,
National Sales Hotline
T. 1800 2584 3676
sales@altiform.com.au

Copyright © 2012 Cox Urban Furniture.

Not to be reproduced in any form
without prior written consent.