

**BANNER POLE**  
PMD:BNP-1

**PROMENADE**  
RANGE



**INSTALLATION OPTIONS AND DIMENSIONS**

<b>Above ground bolt-fix</b>	220mm diameter base x 4700mm OH
<b>Below ground bolt-fix</b>	220mm diameter base x 4850mm OH

**MATERIAL AND FINISH**

Aluminium with powder coat finish.

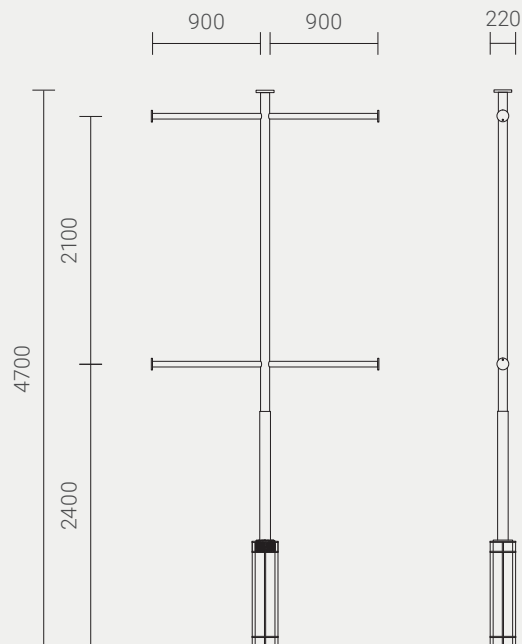
**POLE OPTIONS**

Overall height of pole, and configuration and span of the outreach arms can be customised to suit client requirements.

The base assembly can be modified to incorporate lighting gear trays and power outlets.

**OPTIONAL INSERT**

Tubular base can be supplied with or without a decorative cast insert. Standard insert is 'Gunmetal Grey' with an exposed aggregate finish. The colour can be customised to compliment the surrounding paving.



Designed by  
**Cox Urban Furniture**  
info@coxurbanfurniture.com.au  
coxurbanfurniture.com.au

Distributed by Altiform,  
National Sales Hotline  
T. 1800 2584 3676  
sales@altiform.com.au

Copyright © 2012 Cox Urban Furniture.

Not to be reproduced in any form  
without prior written consent.