

# BANNER POLE PMD:BNP-1

PROMENADE  
RANGE



## INSTALLATION OPTIONS AND DIMENSIONS

<b>Above ground bolt-fix</b>	220mm diam. base × 4700mm OH
<b>Below ground bolt-fix</b>	220mm diam. base × 4850mm OH

## MATERIAL AND FINISH

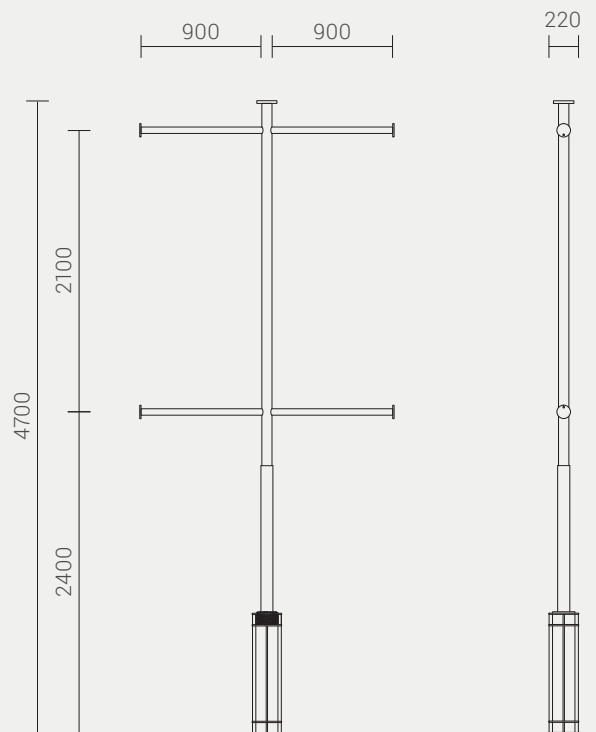
Aluminium with powder coat finish.

## POLE OPTIONS

Overall height of pole, and configuration and span of the outreach arms can be customised to suit client requirements.

## OPTIONAL 'URBANSTONE' TYPE INSERT

Tubular base can be supplied with or without decorative cast insert. Standard insert is 'Gunmetal Grey' with an exposed aggregate finish. The colour can be customised to compliment surrounding paving.



Designed by Cox Urban Furniture

E: [info@coxurbanfurniture.com.au](mailto:info@coxurbanfurniture.com.au)  
WEB: [coxurbanfurniture.com.au](http://coxurbanfurniture.com.au)

Copyright © 2020 Cox Urban Furniture.

**COX**  
URBAN FURNITURE

Distributed by Burdens Australia

**HEAD OFFICE - WA**

Burdens Australia  
P: (08) 9302 4077  
E: [sales@burdens.net.au](mailto:sales@burdens.net.au)

11 Profit Pass  
Wangara WA 6065

**QUEENSLAND**

Burdens Australia  
P: (07) 3287 5166  
E: [qldsales@burdens.net.au](mailto:qldsales@burdens.net.au)

**VICTORIA**

Burdens Australia  
P: (03) 9330 2752  
E: [vic-sales@burdens.net.au](mailto:vic-sales@burdens.net.au)

**INTERNATIONAL**

Environmental Street Furniture  
P: 0011 44 845 606 6095  
E: [sales@worldofesf.com](mailto:sales@worldofesf.com)

ESF Global Sales Office  
67 Church Road  
Newtownabbey, Belfast BT36 7LS  
Northern Ireland