

SEAT WITH BACKREST

BTN:SAT 2-320 RH



BOTANICA
RANGE



INSTALLATION OPTIONS AND DIMENSIONS

Above ground bolt-fix 1985mm L x 640mm W x 820mm H

Below ground bolt-fix 1985mm L x 640mm W x 970mm H

FRAME MATERIAL

Welded aluminium with powder coat finish.

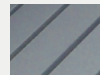
Stainless steel fasteners.

BATTEN MATERIAL OPTIONS



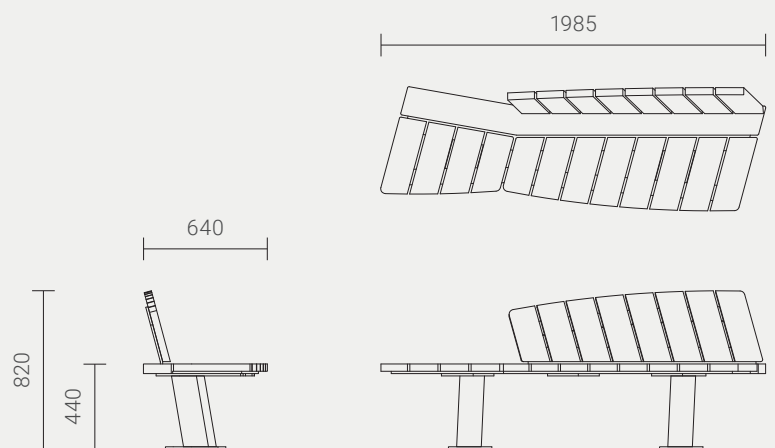
HARDWOOD

Finished with 3 coats of water-based Intergrain Naturalstain, colour 'Cedar'.



RECYCLED PLASTIC

Furnitureform™ glass-reinforced HDPE, standard colour 'Charcoal'.



Designed by
Cox Urban Furniture
info@coxurbanfurniture.com.au
coxurbanfurniture.com.au

Distributed by Altiform,
National Sales Hotline
T. 1800 2584 3676
sales@altiform.com.au

Copyright © 2012 Cox Urban Furniture.

Not to be reproduced in any form
without prior written consent.