

MODULAR SEAT  
URB:SAT M334

URBAN EDGE  
RANGE



INSTALLATION OPTIONS AND DIMENSIONS

Above ground epoxy-fix	1860mm L × 545mm W × 900mm H
Above ground bolt-fix	1860mm L × 545mm W × 900mm H
Below ground bolt-fix	1860mm L × 545mm W × 1050mm H

FRAME MATERIALS

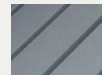
Clear anodised aluminium with cast aluminium corners.

Stainless steel fasteners.

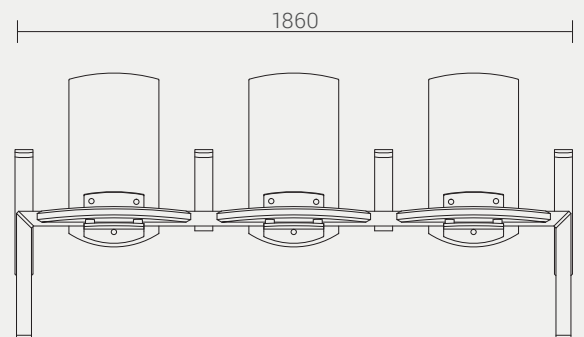
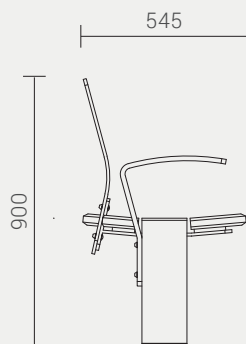
SEAT MATERIAL OPTIONS



**HARDWOOD**  
Finished with 3 coats of water-based Intergrain Naturalstain, colour 'Cedar'.



**RECYCLED PLASTIC**  
ULTI-Plas™ UV stabilised extrusion, standard colour 'Charcoal'



Designed by Cox Urban Furniture

E: [info@coxurbanfurniture.com.au](mailto:info@coxurbanfurniture.com.au)  
WEB: [coxurbanfurniture.com.au](http://coxurbanfurniture.com.au)

Copyright © 2020 Cox Urban Furniture.

**COX**  
URBAN FURNITURE

Distributed by Burdens Australia

HEAD OFFICE - WA

Burdens Australia  
P: (08) 9302 4077  
E: [sales@burdens.net.au](mailto:sales@burdens.net.au)

11 Profit Pass  
Wangara WA 6065

QUEENSLAND

Burdens Australia  
P: (07) 3287 5166  
E: [qldsales@burdens.net.au](mailto:qldsales@burdens.net.au)

VICTORIA

Burdens Australia  
P: (03) 9330 2752  
E: [vic-sales@burdens.net.au](mailto:vic-sales@burdens.net.au)

INTERNATIONAL

Environmental Street Furniture  
P: 0011 44 845 606 6095  
E: [sales@worldofesf.com](mailto:sales@worldofesf.com)

ESF Global Sales Office  
67 Church Road  
Newtownabbey, Belfast BT36 7LS  
Northern Ireland